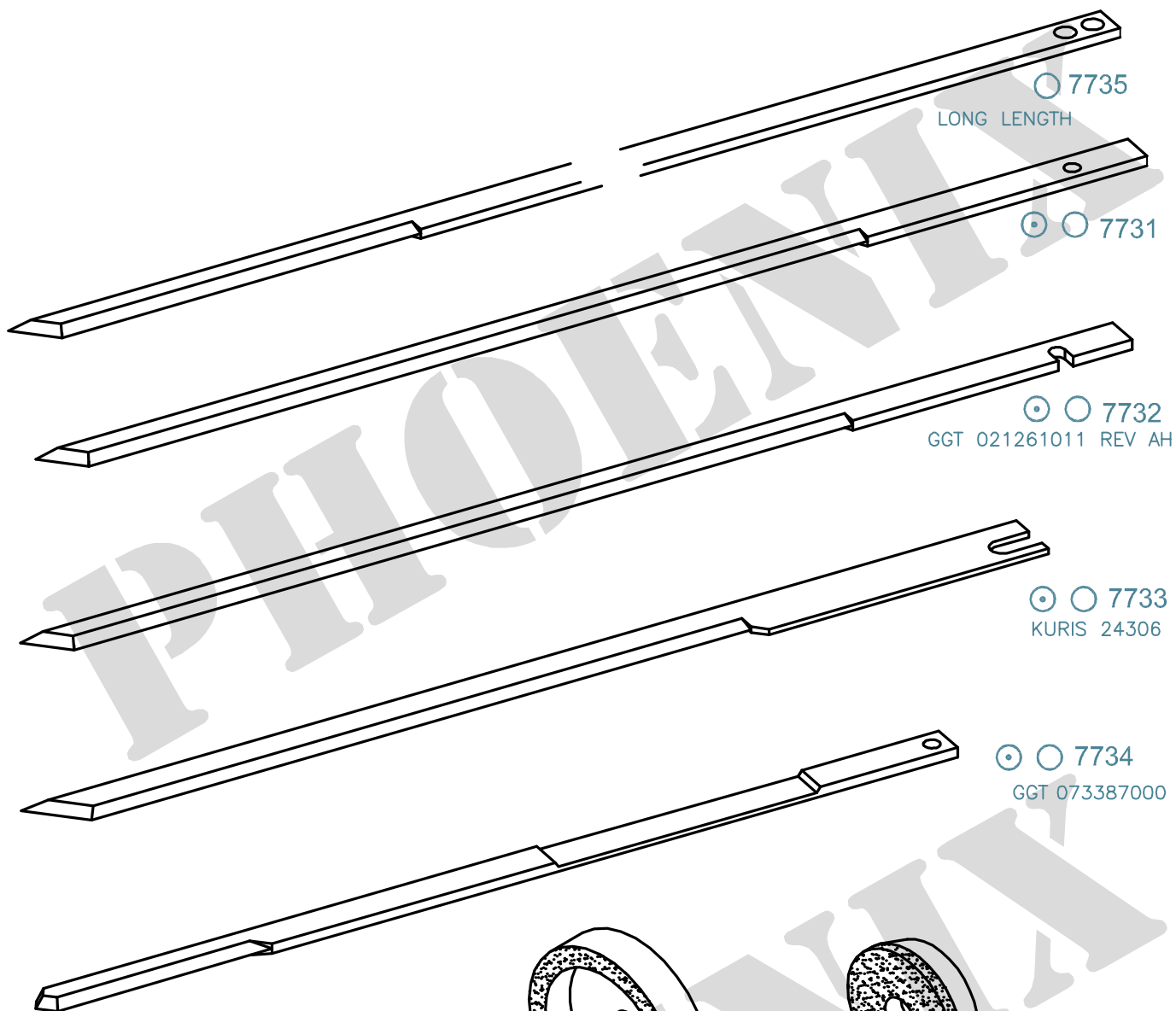


FOR GARMENT & FABRIC PROCESSING | 7730



○ 7735
LONG LENGTH

○ ○ 7731

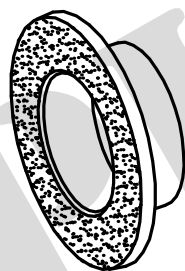
○ ○ 7732
GGT 021261011 REV AH

○ ○ 7733
KURIS 24306

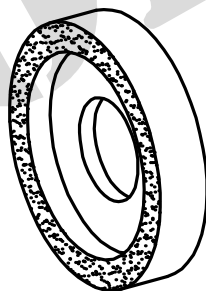
○ ○ 7734
GGT 073387000

7795

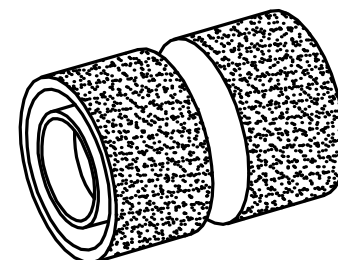
7796



7792
FOR 7731 & 7732



7793



7794
FOR 7734

ELECTRO DEPOSITED CBN GRINDING WHEELS

MATERIAL CODE : ● SOLID CARBIDE , ○ HSS , ◐ BRAZED CARBIDE , ⊙ TIN COATED